
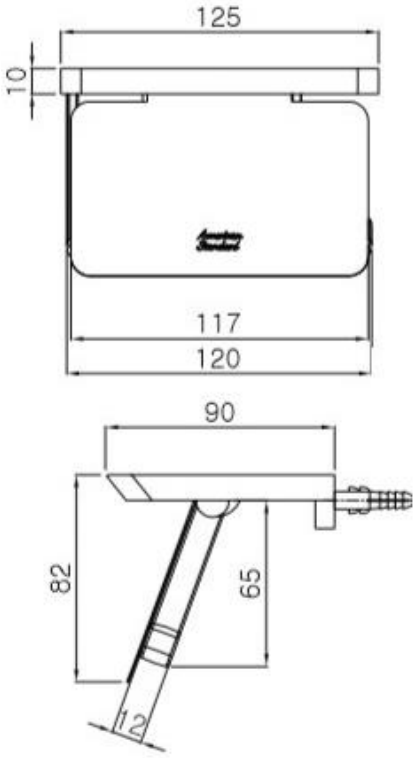




PROJECT		REF		REV	ITEM CODE	
LOCATION		DATE			PAGE	

SANITARY WARE SPECIFICATION SHEET

Item Descriptions	American Standard (Korea) "Active" Tissue paper holder	<p>Illustration/ Drawing</p>  
Dimensions	L125 x W90 x H82 mm	
Model	ESW1058-450N	
Material/Colour	Chrome Plated	
Manufacturer	American Standard (Korea)	
Source	Acme Sanitary Ware Co. Ltd Mr. Eric Wong/ Mr. Don Yuen	
Contact Tel/Fax	(852) 2388-7171 / (852) 2710-8012	
E-mail	acme@acmesanitary.com.hk	
Website	www.acmesanitary.com.hk	

Note:

* All information of the above is for the reference only. No prior notice is made if any changes.